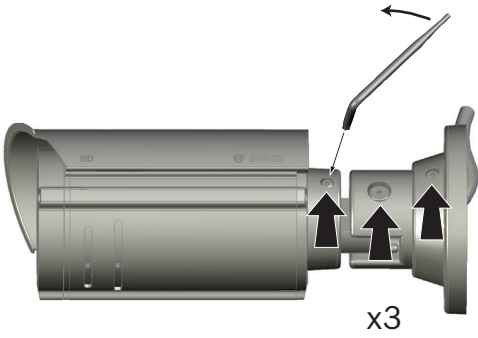


IP Camera 200 Series - Quick Install

NTC-265-PI

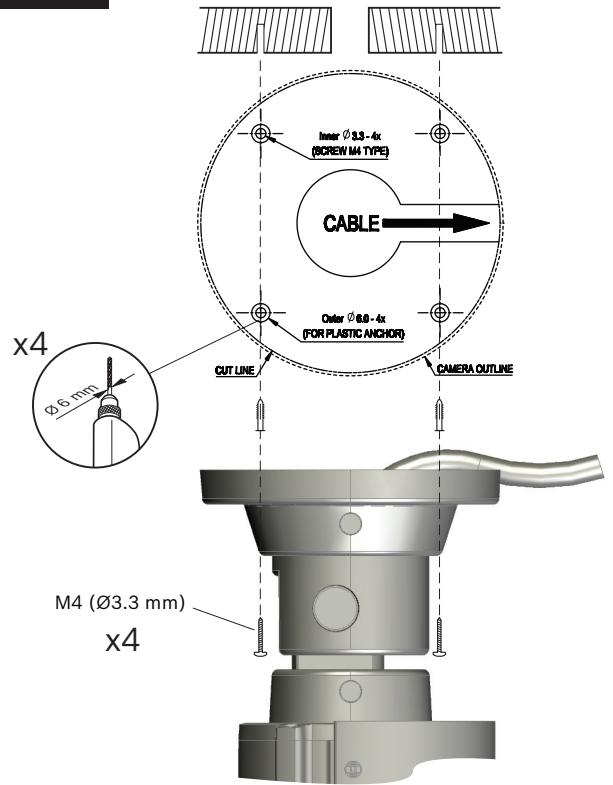
1

View angle adjustment



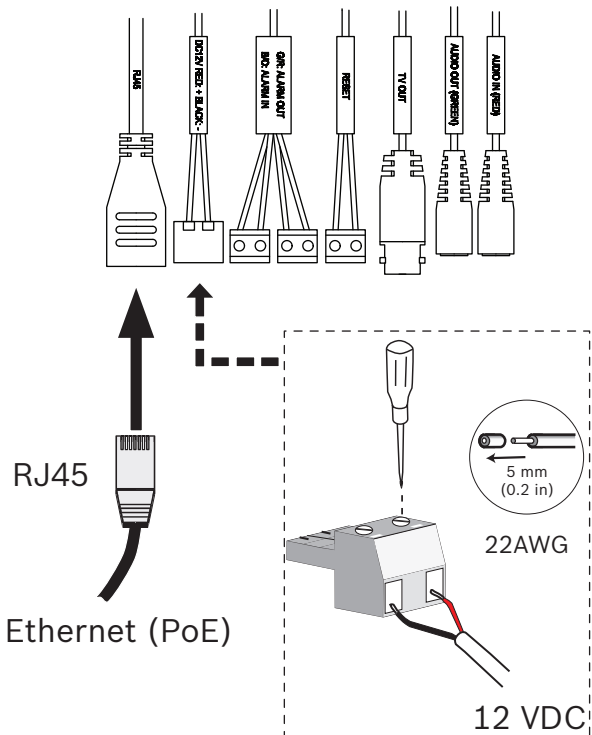
2

Mount



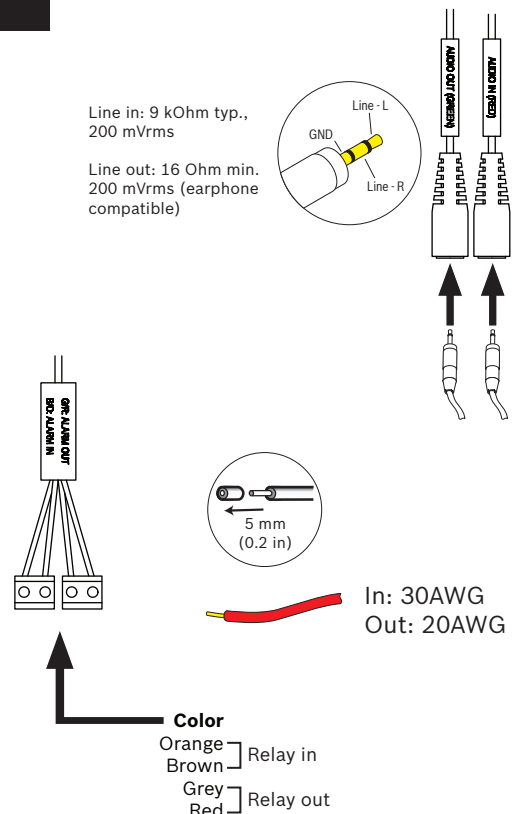
3

Network (Power)



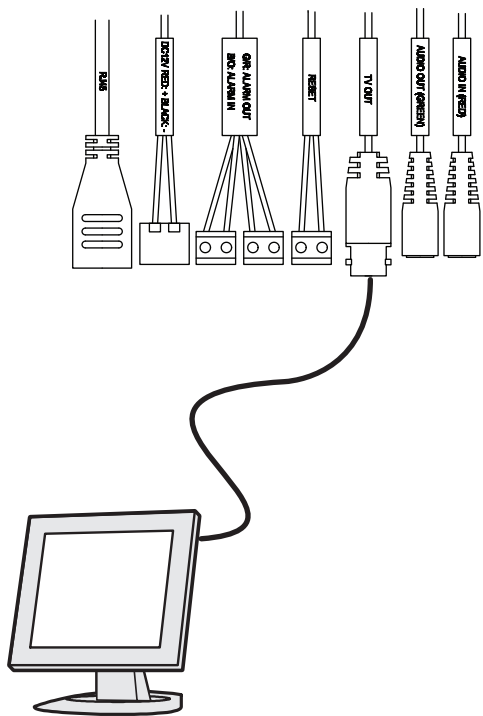
4

Audio & I/O



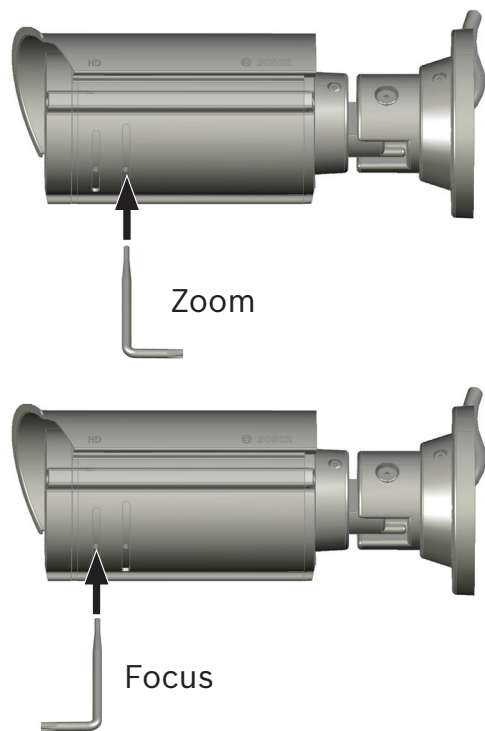
5

TV out



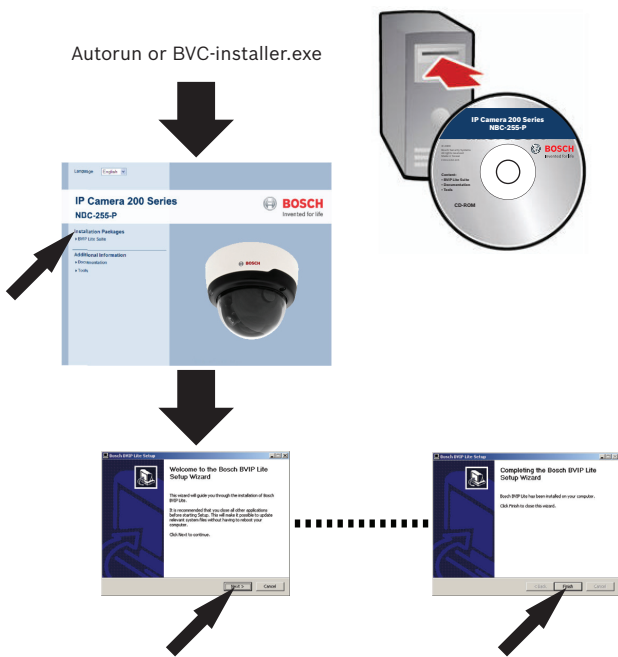
6

Zoom - Focus



7

Bosch Video Client



8

Wizard



Default IP: 192.168.0.1